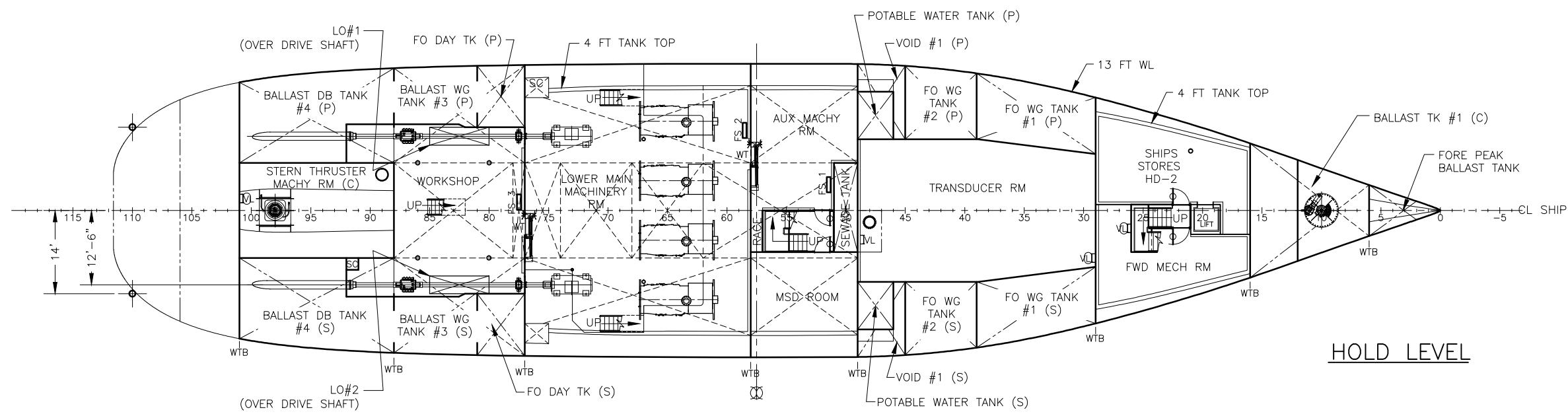


8 7 6 5 4 3 2 1

D

D



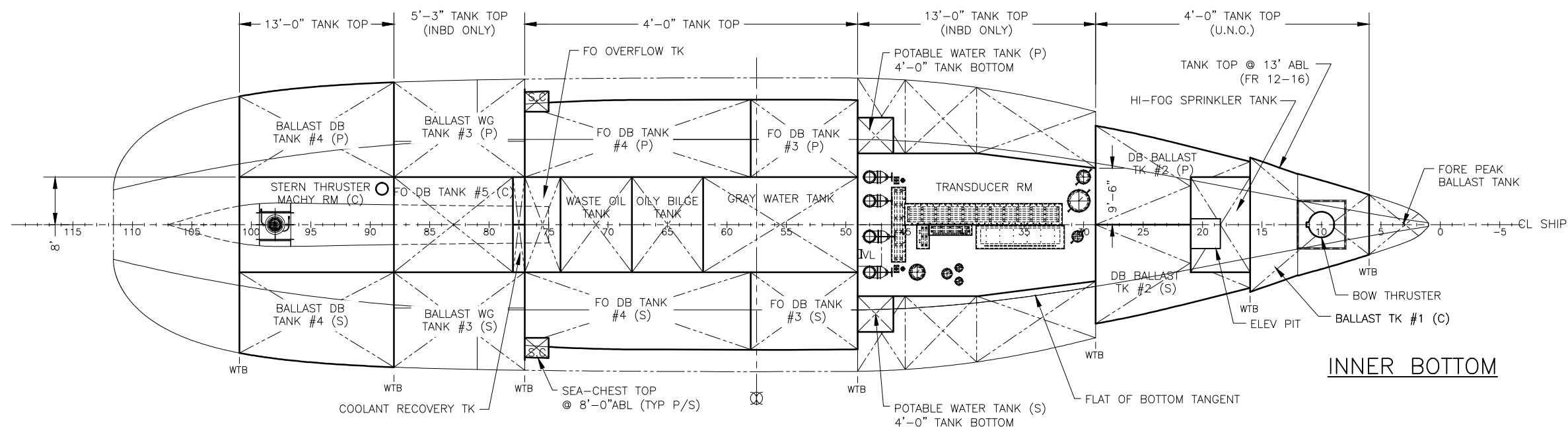
HOLD LEVEL

C

C

B

B



INNER BOTTOM

A

A

PLOT DATE: Thursday, November 14, 2013
 PLOT TIME: 11:29:32 am
 PLOT DR: 65511
 FILE NAME: C:\USERS\DC\APPDATA\LOCAL TEMP\AC PUBLISH_5116\
 REV: DCI 027-04 R80101 REV-D.DWG

HALF SIZE PRINT

DESIGNER GUIDO PERLA & ASSOCIATES, Inc.	TITLE GENERAL ARRANGEMENT DRAWINGS
SHIPBUILDER DAKOTA CREEK INDUSTRIES, Inc.	DWG No. 65411-801-01
NAVSEA DWG No. 8565942	SCALE 3/32" = 1'-0"
	SHEET 3 OF 7

8 7 6 5 4 3 2 1